




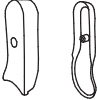

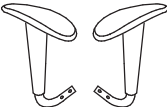
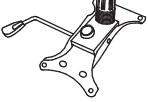






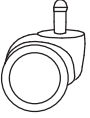

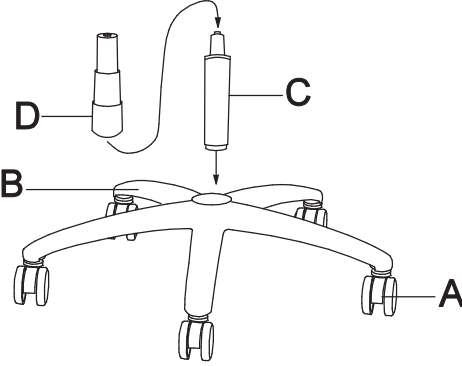
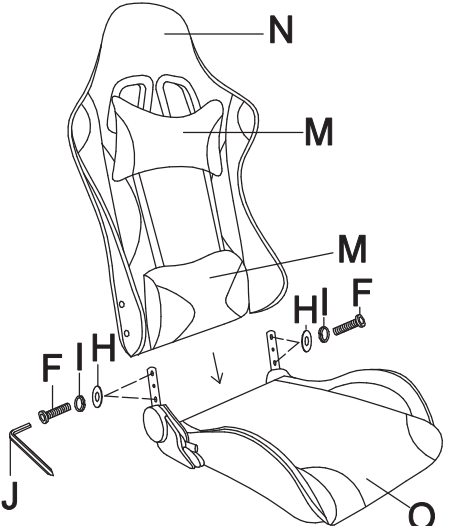
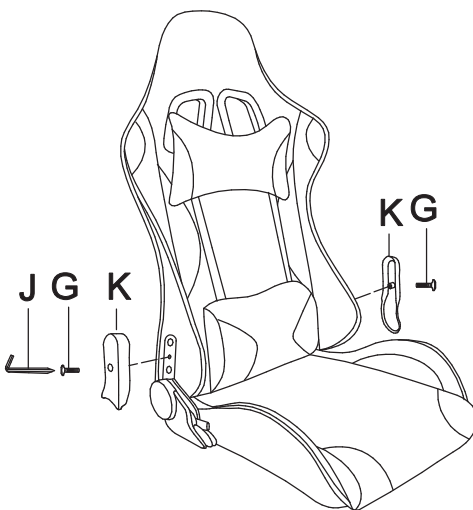



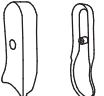

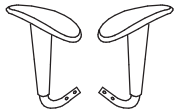
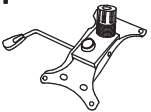

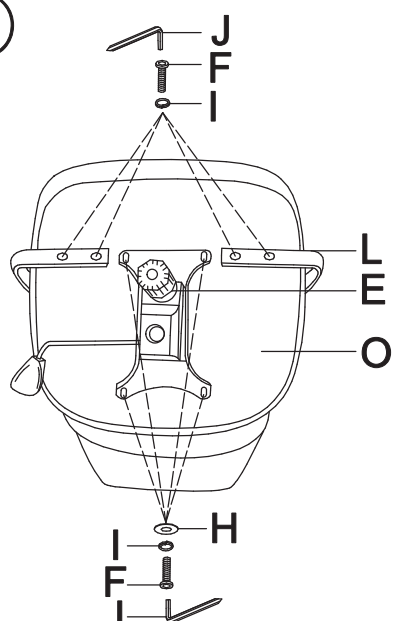
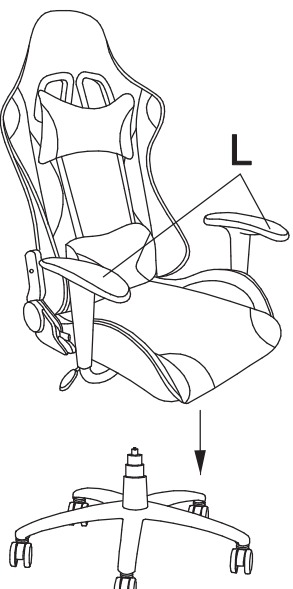
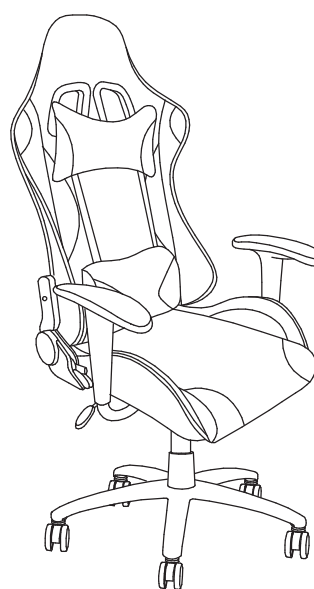



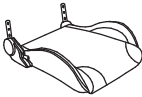


itek ASSEMBLE INSTRUCTION

<p>Ax5</p> 	<p>Ix12</p> 	<p>①</p>	<p>②</p>	<p>③</p>
<p>Bx1</p> 	<p>Jx1</p> 			
<p>Cx1</p> 	<p>Kx1</p> 			
<p>Dx1</p> 	<p>Lx1</p> 			
<p>Ex1</p> 	<p>Mx1</p> 	<p>④</p>	<p>⑤</p>	<p>⑥</p>
<p>Fx12</p> 	<p>Nx1</p> 			
<p>Gx2</p> 	<p>Ox1</p> 			
<p>Hx8</p> 				

itek Istruzioni per l'assemblaggio

<p>Ax5</p> 	<p>lx12</p> 	<p>①</p> 	<p>②</p> 	<p>③</p> 
<p>Bx1</p> 	<p>Jx1</p> 			
<p>Cx1</p> 	<p>Kx1</p> 			
<p>Dx1</p> 	<p>Lx1</p> 			
<p>Ex1</p> 	<p>Mx1</p> 	<p>④</p> 	<p>⑤</p> 	<p>⑥</p> 
<p>Fx12</p> 	<p>Nx1</p> 			
<p>Gx2</p> 	<p>Ox1</p> 			
<p>Hx8</p> 